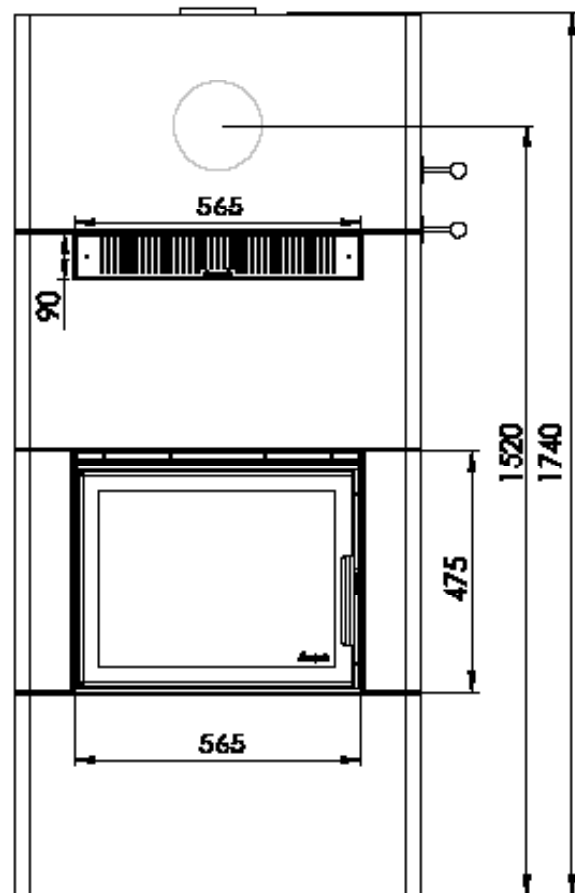
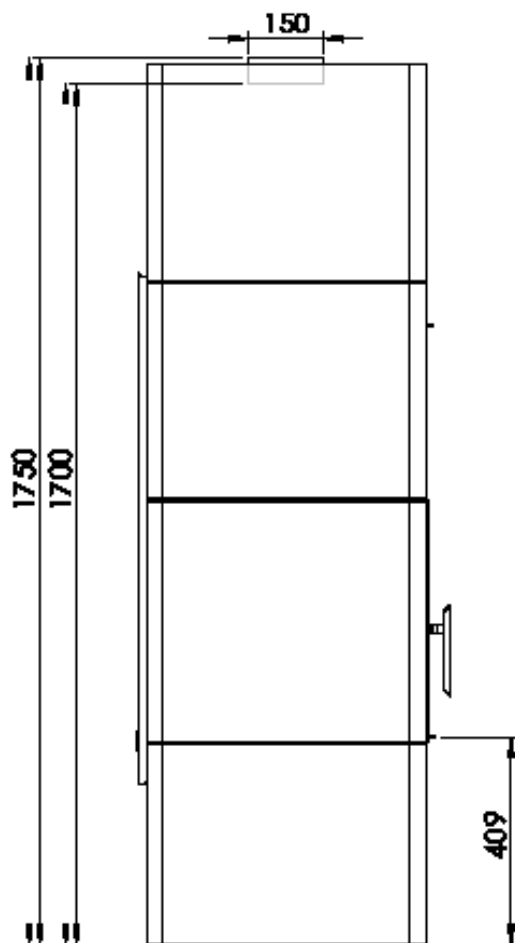
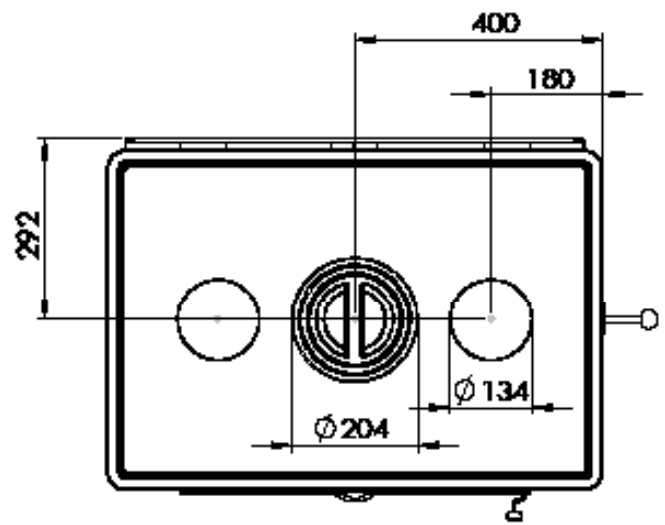
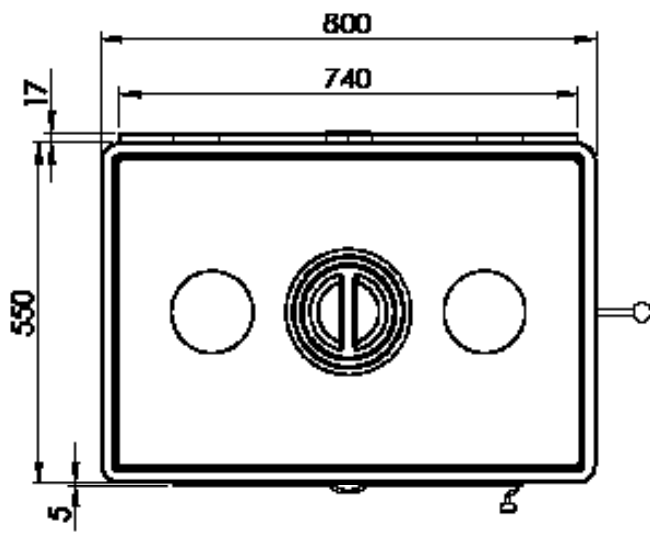


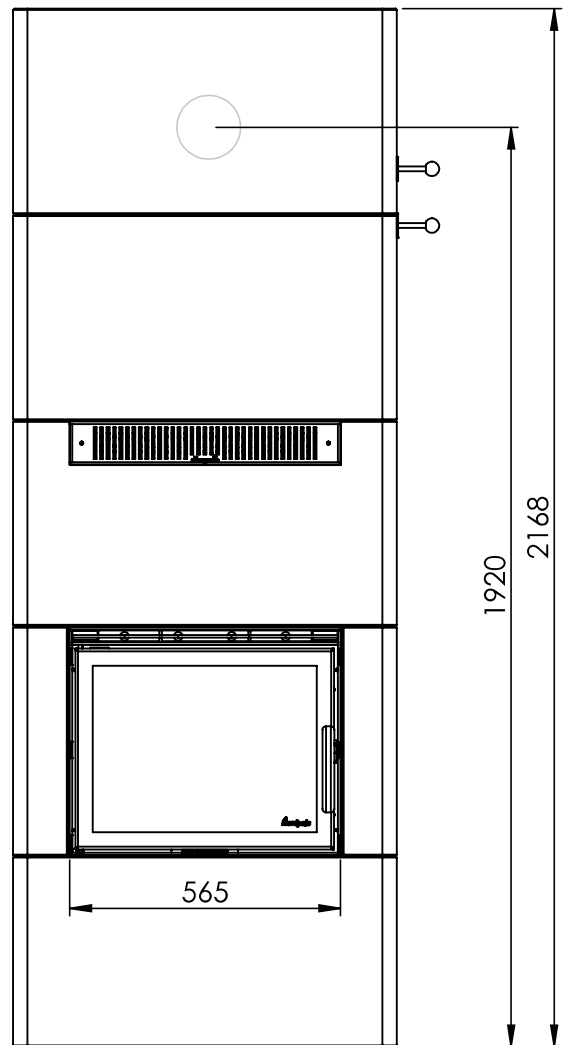
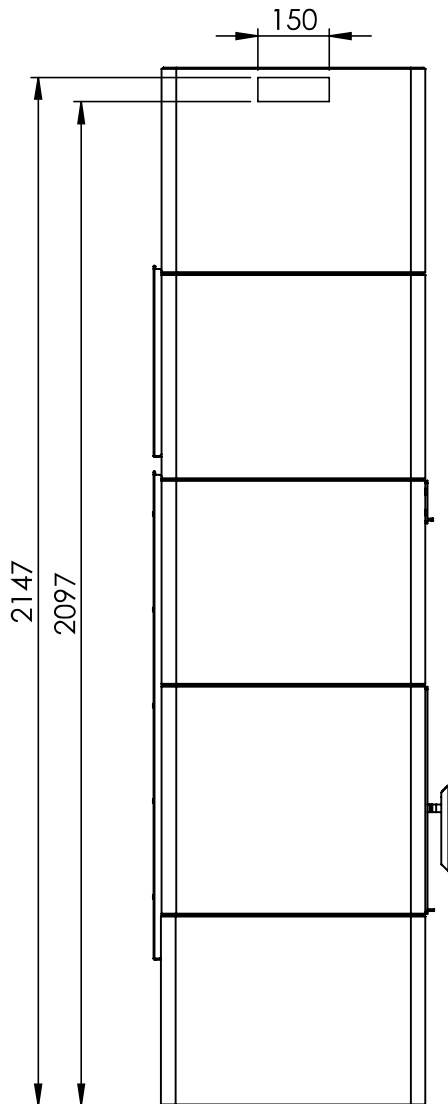
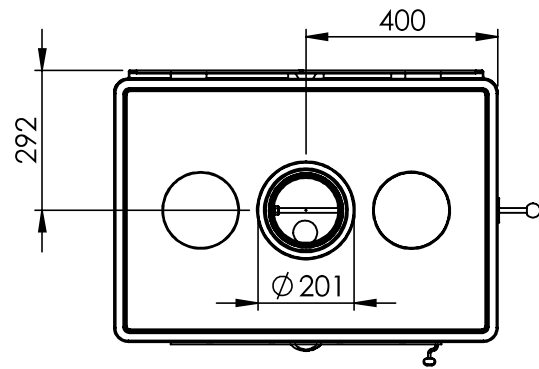
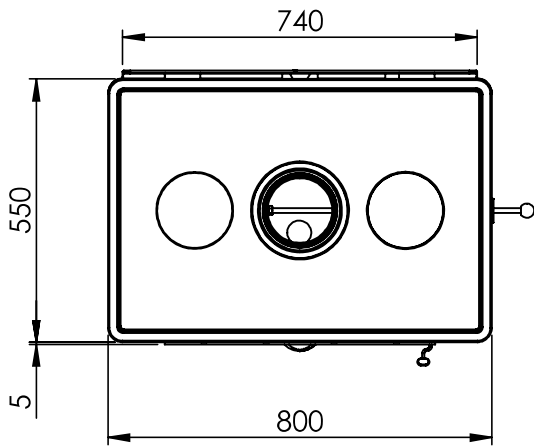
FIG

Salzburg L =mm



FIG

Salzburg L +1 =mm



Salzburg L / Salzburg L+1 = AIR =mm

